

THE TRANSMITTER

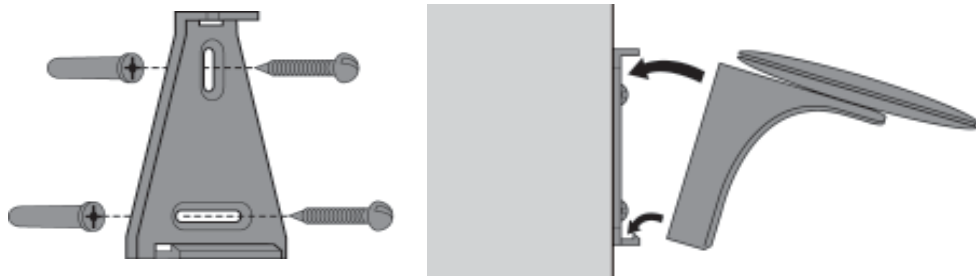
LOCATION

The transmitter can be mounted on a vertical wall at any suitable indoor location. Best results will be achieved if the transmitter is placed away from any metal or electrical items and so that there are no metal or electrical items in the line of sight between the transmitter and receiver.

The Power supply has a 1.8 metre lead, therefore the transmitter should be located within 1.8 metres of a mains outlet. (If this is not convenient, please use a mains extension lead)

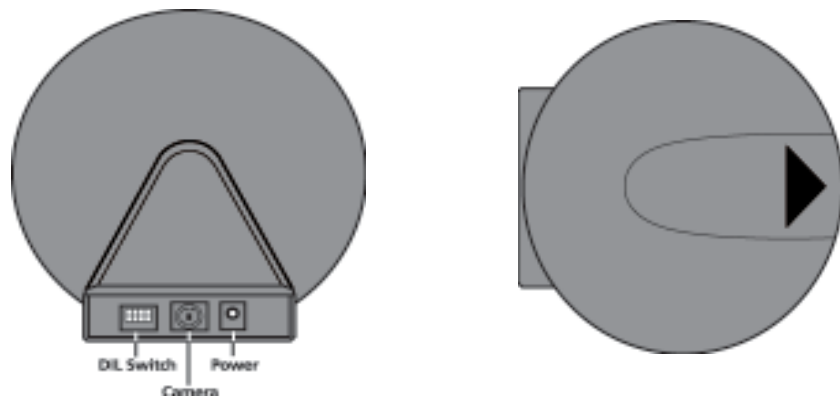
INSTALLATION

The first step is to remove the mounting bracket from the transmitter and then fix the bracket to the wall. The transmitter can then be clipped into the bracket.



The aerial should now be rotated so that the arrow points in the direction of the receiver.

The power supply should be connected to the power socket and the camera should be connected to the camera socket.



THE RECEIVER

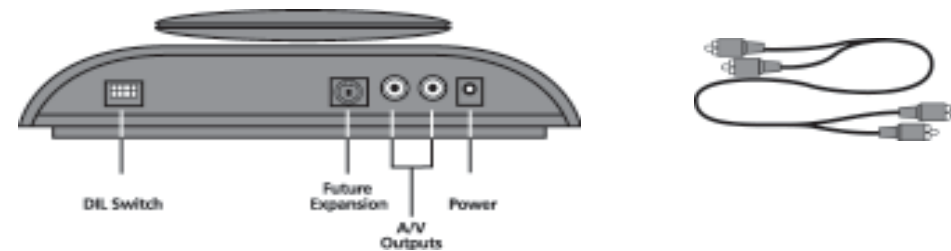
LOCATION

The receiver should be located close to your television or VCR. To obtain the best performance, the unit should be positioned away from any metal or electrical items and with the least number of metal or electrical items in the line of sight between the transmitters location and the receiver.

CONNECTION

The receiver can be connected to any unused AV (Audio / Video) input connectors on a domestic television or video recorder using either phono plugs or a scart plug.

1. Using the dual phono to phono lead supplied, connect the yellow plug to the yellow socket on the back of the receiver. Then connect the white plug to the white socket on the back of the receiver.
2. The yellow plug on the other end of the lead should be connected to the Video In connector on your TV or VCR and the White plug should be connected to the Audio-In connector. A phono to scart adapter is provided if required.
3. Plug a 12V power supply into a mains outlet and plug the round power plug into the power socket on the rear of the receiver.



SETTING THE CAMERA CHANNELS

Use the switches on the rear of the Receiver to set which camera channels you are using.

For example, if you have two transmitters and they are transmitting on channels 1 and 2 respectively, then switches 1 and 2 should be put into the on position.



TROUBLESHOOTING

If you are having trouble operating this product, please consult the guide below. If you still encounter any problems, then please contact the Voltek helpline on **09066 191 133** *(Open 9am to 5pm, Monday to Friday)

SYMPTOM	REMEDY
No camera picture	<ol style="list-style-type: none"> 1. Check all connectors and check that the power is switched on to your receiver and to the transmitters. 2. If the receiver is connected directly to the TV, check the TV is set to the correct (AV) input. 3. If the receiver is connected to the VCR, check the TV is set to the VCR channel and that the VCR is set to the correct (AV) input. 4. Check the channel switches on the rear of the receiver correspond with channels selected on the transmitters.
I can see the camera picture, but the VCR does not record the picture.	<ol style="list-style-type: none"> 1. Check that the camera receiver is connected directly to the VCR. 2. Check that the correct AV input is selected on the VCR. 3. Check you have a tape in the VCR, that it is rewound and that the record tab has not been removed. 4. Check that your VCR is functioning correctly by pressing the Record button.
Interference on the camera picture	<ol style="list-style-type: none"> 1. Check that each transmitter is set to a different channel. 2. Try repositioning the transmitters to improve the reception quality. 3. Ensure transmitters are not mounted directly next to one another. 4. If a transmitter is positioned close to the receiver, point the aerial away from the receiver. 5. Check if there is any other equipment transmitting on the 2.4GHz frequency nearby.

FEATURES

The Voltek wireless camera link offers all the advantages of a conventional cabled system, with none of the hard work. The system consists of a discrete weatherproof B&W or colour camera with microphone, a directional 2.4 GHz transmitter, which can be sited indoors, close to a power point, and a 4-camera receiver that can be located next to your television.

- * Turns your own TV into a CCTV system.
- * Watch and listen with up to four cameras.
- * See who is at your front door.
- * Protect your car.

CAMERA

- * B&W (CTR241 / CTR242) or Colour (CTR251 / CTR252) High resolution camera with built-in microphone.
- * Full pan and tilt adjustment so that the camera views the area that you want.
- * Fully weatherproof for indoor or outdoor use.
- * Connects to the transmitter with 1 fast and simple connector.

TRANSMITTER

- * Sends camera and audio signals over a high quality 2.4GHz radio signal.
- * Directional transmitter for improved signal quality.
- * Indoor use only

RECEIVER

- * Receives B&W or Colour camera pictures and audio from up to 4 cameras.
- * Connects to spare phono sockets or scart socket on your own TV or VCR.
- * Automatic camera switching mode with adjustable time delay.
- * Manual camera select facility.
- * Additional receivers can be used for watching in multiple locations.
- * Indoor use only

SPECIFICATIONS

	<u>TRANSMITTER</u>	<u>RECEIVER</u>
Operating voltage	12V dc	12V dc
Current consumption	140mA	280mA
Channel 1	2.41475 GHz	2.41475 GHz
Channel 2	2.43275 GHz	2.43275 GHz
Channel 3	2.45075 GHz	2.45075 GHz
Channel 4	2.46875 GHz	2.46875 GHz
Audio Subcarrier	6 MHz	6 MHz
Weatherproofing	IP40	IP40
Expansion pin-outs	n/a	



Total package weight	CTR241 / CTR251 : 1.7Kg CTR242 / CTR252 : 0.8Kg CTR250 : 0.7Kg CTR240 : 1.0Kg
Approvals	CE directive 93/68/EEC EMC directive 89/336/EEC BSEN50081-1 : 1992, BSEN50082-1 : 1992 Low voltage directive 73/23/EEC
Country of Origin	China / UK

Due to Volteks' ongoing development and improvement programme, we reserve the right to make changes to any product or specification without notice.



Churchill Way, Lomeshaye Ind Est, Nelson. Lancashire. BB9 6RT. England
Telephone: (01282) 695 500 Fax:(01282) 695 511 Helpline: 09066 191 133 *
Email: info@voltek.co.uk Web site: www.voltek.co.uk

* Helpline calls cost 60 per minute. Open 9am to 5pm, Monday to Friday

INSTALLATION & USER INSTRUCTIONS

CTR241 / CTR251

*4-Camera Receiver with 1 x Transmitter
& B&W / Colour Camera*

CTR242 / CTR252

Additional B&W / Colour Camera & Transmitter

CTR250

Universal Transmitter

CTR240

4-Camera Receiver

